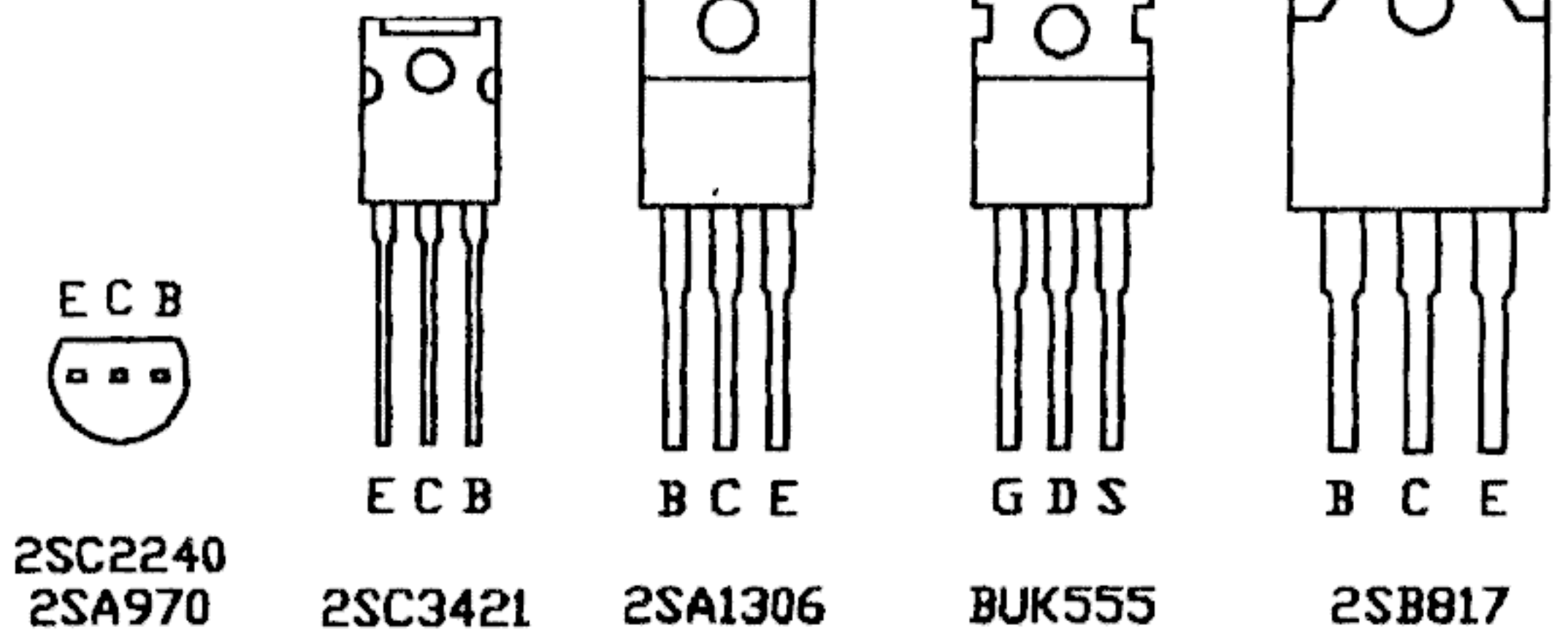
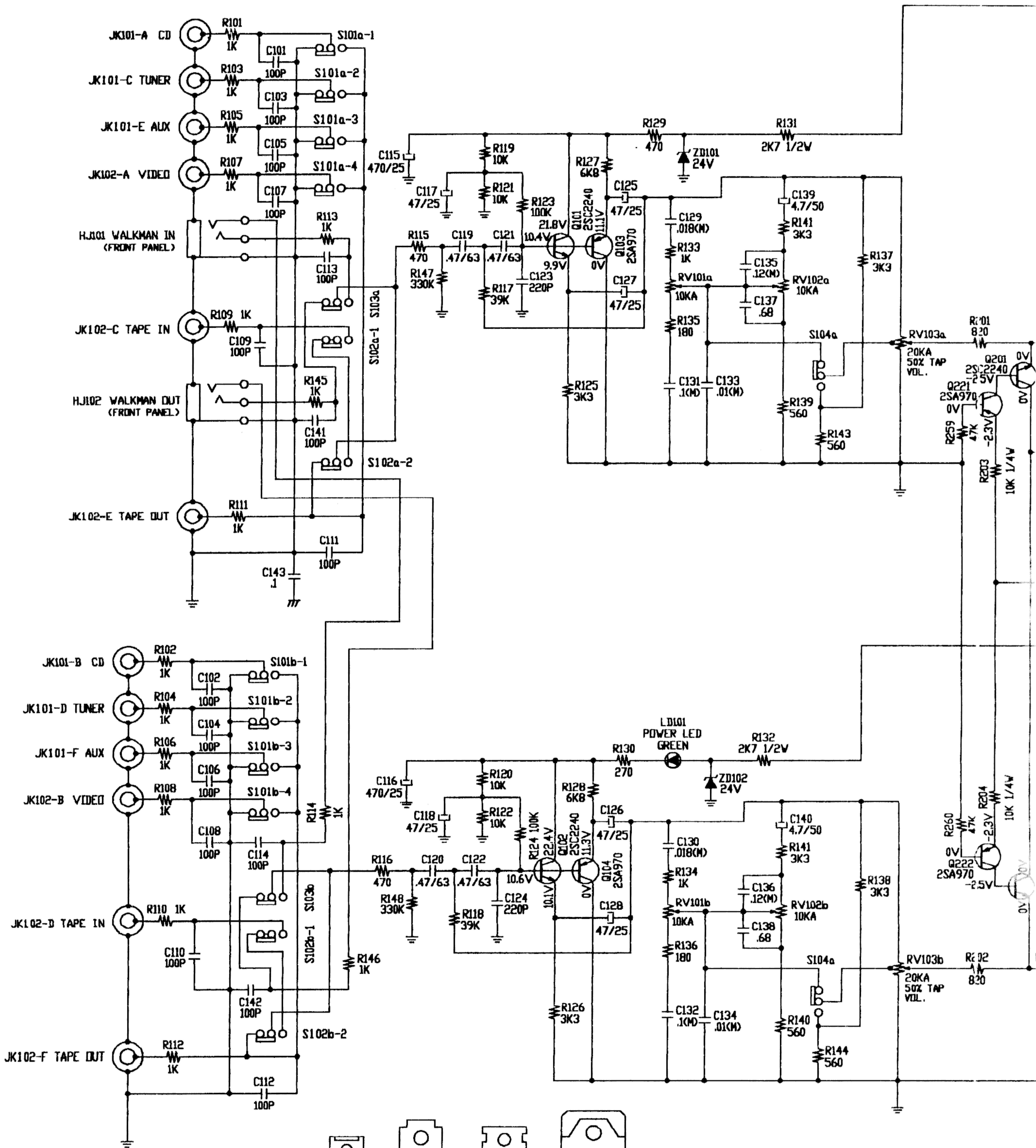


R = 100Ω, K = 1000Ω, M = 10000Ω.
 /8W UNLESS OTHERWISE NOTED.
 μF UNLESS OTHERWISE NOTED. P = μW.
 COMPONENTS MUST ONLY BE REPLACED
 WITH NO SIGNAL APPLIED.
 UNLESS OTHERWISE SPECIFIED.
 UNLESS OTHERWISE SPECIFIED.

MURATA
 POSITOR
 100-110

SCHEMATIC DIAGRAM



- NOTE:
1. ALL RESISTANCE VALUES ARE IN Ω, K=1000Ω, M=1000K.
 2. THE WATTAGE OF RESISTORS IS 1/6W UNLESS OTHERWISE SPECIFIED.
 3. ALL CAPACITANCE VALUES ARE IN pF UNLESS OTHERWISE SPECIFIED.
 4. SAFETY REQUIREMENTS COMPONENTS IN ACCORDANCE WITH IEC SAFETY REGULATIONS THESE COMPONENTS MUST BE REPLACED BY ORIGINAL PARTS.
 5. R239 AND R240 USED FOR IDLING CURRENT AT SHORTED IN NORMAL OPERATION.
 6. VOLTAGE SHOWN ARE MEASURED WITH NO SIGNAL.
 7. ALL RESISTORS 1/8W, 5% UNLESS OTHERWISE SPECIFIED.
 8. ALL CAPACITORS CERAMIC, 50V, 5% UNLESS OTHERWISE SPECIFIED.